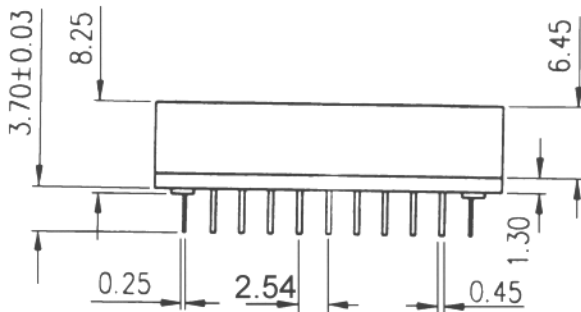
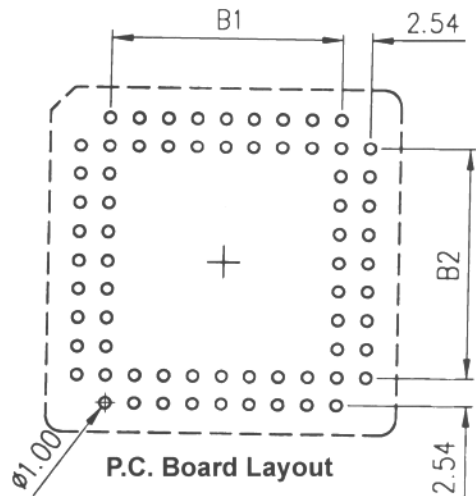
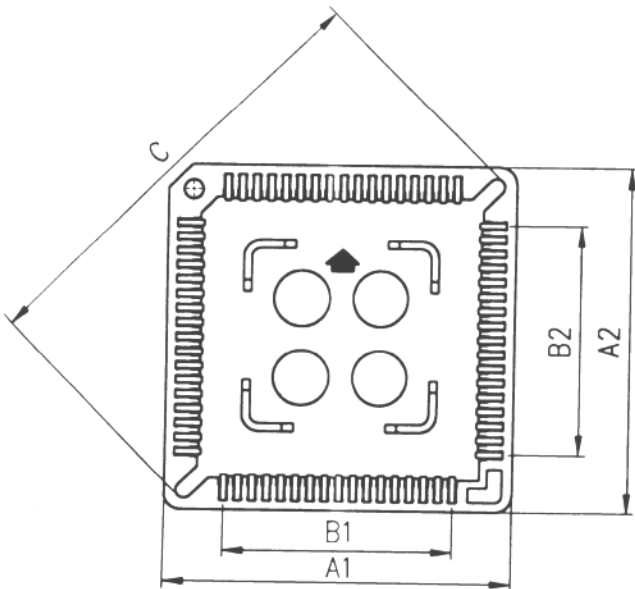
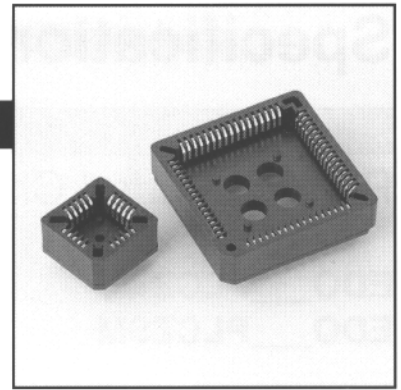


# Series: EDO\_\_ PLCZ

## Plastic Leaded Chip Carrier



Ordering example: **EDO - 32 PLCZ**

No. of Positions	Dimensions				
	A1±0.2	A2±0.2	B1±0.2	B2±0.2	C±0.2
20	15.56	15.56	5.08	5.08	18.20
28	18.10	18.10	7.62	7.62	21.70
32	18.10	20.64	7.62	10.16	23.65
44	23.18	23.18	12.70	12.70	28.50
52	25.72	25.72	15.24	15.24	32.50
68	30.80	30.80	20.32	20.32	40.00
84	35.88	35.88	25.40	25.40	47.15